

PADDLE WHEEL FLOWMETER

FLUIDEX series PWF is a cost-effective Paddle Wheel (Dual Pulse) Insertion Flowmeter for measuring the flow of low viscosity liquids. The meters are installed with the metering head inserted in 1/8th into the pipe resulting in very little pressure drop. The meters do not require external power when used with FLUIDEX battery powered rate totalizers.



SPECIFICATIONS

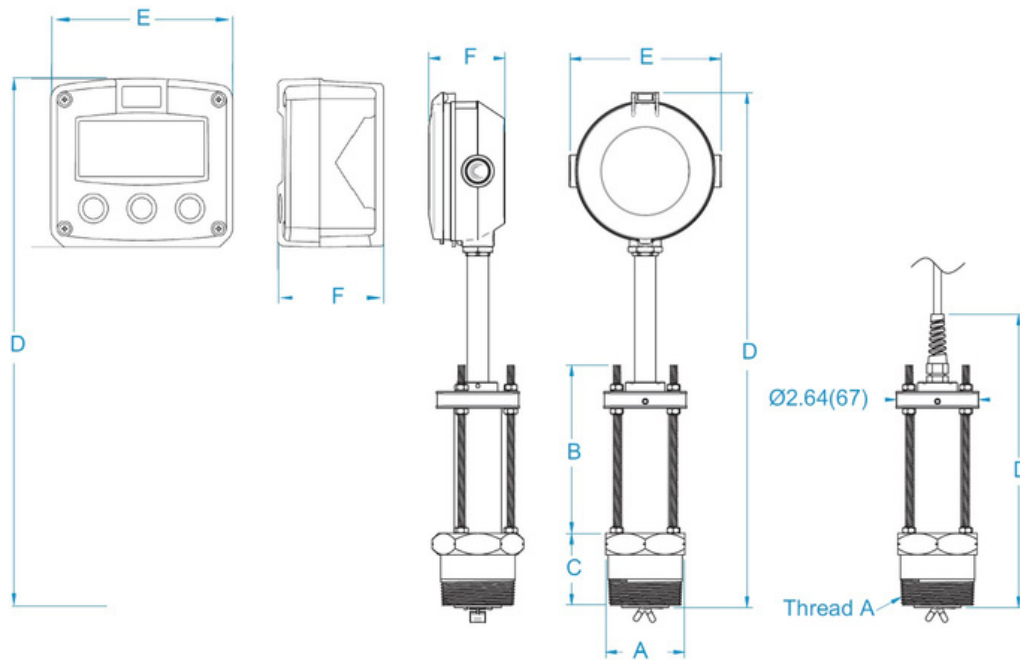
PWF	900	2500
Suits Pipe Sizes	1.5-36" 40-900mm	2-100" 50-2500mm
Pipe Connection	1.5" or 2"	2"
Connection Standard	BSPT or NPT male thread	
Linearity	Typically $\pm 1.5\%$ of reading	
Temperature Range	-40°C - +150°C (-40°F - +300°F)	
Pressure	1160 psi (80 Bar)	
Material	SS316 Body and Rotor Shaft	
Protection	IP68 (NEMA 6), Optional IS (Intrinsically Safe) Integral Options	
ELECTRICAL		
Reed	30Vdc x 200mA max. Nom 0-80Hz Resolution: 1/3 NPN Hall Effect or Voltage Pulse outputs	
Hall Effect	3 wire open collector. 5-24V (dc) max., 20mA max. Nom 0-240Hz	
Voltage Pulse	Self Generated Voltage, Nom 0-240Hz	
Non-Magnetic Sensor	3-Wire Open Collector, 5-24Vdc, 20mA max. Nom 0-240Hz	
Optional Outputs	4-20mA, Scaled pulse, quadrature pulse (Integral Option required)	



FEATURES

- Suitable for pipe sizes between DN40~DN2500 (1½" ~100")
- 316SS construction built in rugged and compact design
- Bi-Directional Flow Measurement
- Pressure up to 80 bars (1160 psi)
- Temperature up to 150 °C (300 °F) and down to -40°C/°F
- IP68 (NEMA6) submersible (sensor)
- Available models in explosion proof and Intrinsically Safe.
- Available with integrated and remote pre-amplifiers & flow instruments.
- Ease installation with adjustable studs
- PWF2500 series suitable for 'HOT TAP' installation.

DIMENSIONS



	Flying Cable	
PWF	900	2500
A Thread	1.5" or 2" BSP or NPT	2" BSP or NPT
A	2.36" (60mm)	2.52" (64mm)
B	7.8" (198mm)	17.48" (444mm)
C	1.5" (38mm)	2.28" (58mm)
D	9.33" (237mm)	16.69" (424mm)

	Integral Options	
A Thread	1.5" or 2" BSP or NPT	2" BSP or NPT
A	2.36" (60mm)	2.52" (64mm)
C	1.5" (38mm)	2.28" (58mm)
	D	
RT12/RT14	16.34" (415mm)	35.43" (900mm)
RT40	14.96" (380mm)	34.06" (865mm)
F018/F115	16.26" (413mm)	35.35" (898mm)
	E	F
RT12/RT14	0.47" (122mm)	2.4" (61mm)
RT40	4.45" (113mm)	2.48" (63mm)
F018/F115	5.12" (130mm)	2.95" (75mm)

TYPICAL APPLICATIONS

- Water distribution
- Water treatment
- Boiler feed water
- Ballast water control
- HVAC water flow monitoring
- Fire system monitoring
- Waste water
- Hydrant flow testing



CONFIGURATION AND ORDER CODE

1	PWF	Series
	900	Insertion Meter for 1.5 to 36" (40-900mm)
	2500	Insertion Meter for 2 to 100" (50-2500mm) Suitable for Hot tap Installation
2		Body Material
	5	Stainless Steel SS316
3		Rotor / Shaft Materials
	2	PVDF / SS316 (+120°C (+260°F))
	3	PEEK/Tungsten Carbide (+150°C (+300°F))
4		O-ring Material
	1	FKM (Viton™) (-15°C to +150°C (5°F to +300°F))
	4	Buna-N (Nitrile) (-40°C to +125°C (-40°F to +260°F))
5	-	Temperature Limit
	2	125°C (260°F) Available with electrical connections 5 & 6
	3	150°C (300°F) Only available with Rotor/Shaft #3, Pick-up #2, Electrical connection #5 and O-ring #1
	5	100°C (212°F) (Standard)
6		Process connections
	1	1 1/2" BSPT Male Thread
	2	1 1/2" NPT Male Thread
	3	2" BSPT Male Thread
	4	2" NPT Male Thread
7		Pick-Up Type
	1	NPN Open Collector & Voltage Pulse (std)
	2	NPN Collector Only
	3	Reed Switch Only (Not suitable for Temp #3)
	9	Quadrature Pulse Output (Requires F15 Option for bi-directional flow capability)
8		Electrical Connection
	C	Flying Cable 5ft (1.5m) on PWF900, 3ft (1m) on PWF2500
	2	Flying Cable 33ft (10m)
	5	Terminal Box on Stem Kit (IP67)
	6	Stem Kit 3/8" NPTxM16 Thread (Required for integral instruments)

9		Integral options
		Combination Reed Switch and Hall Effect Sensor
	R4	RT40 rate totalizer with backlit large digit LCD [scalable pulse Output, backlight]
	R5	RT14 backlit rate totalizer with all outputs (GRN Housing)
	R6	RT14 IECEx/ATEX Intrinsically Safe Rate Totalizer with 4020mA and pulse outputs in GRN (Requires pick up type #3)
	R7	RT40 backlit rate totaliser in GRN housing
	F115	F115 bi-directional flowrate / totalizer, 4-20mA and pulse outputs in a GRN Housing
	F18	F018 backlit flowrate / totalizer, pulse, 4-20mA, 10 point linearization, HART
	F18IS	F018 backlit flowrate / totalizer, pulse, 4-20mA, 10 point linearization, HART. IS
10		Display
		Litres (Default)
	G	US Gallons

EXAMPLE

1	2	3	4	5	-	6	7	8	9	10
PWF900	S	2	1	5	-	1	1	6	R5	



For more information about FLUIDEX
flowmeters, visit www.fluidex.com.au
or contact sales@fluidex.com.au

FLUIDEX PTY LTD
PO BOX 4131, LUGARNO
NSW 2210 | AUSTRALIA
T +61 2 8519 6335

PWF-DS-07-ENG-01/24
Specifications are subject to change without notice

