

RT14 SERIES



FLOWRATE TOTALIZER

The FLUIDEX® RT14 is a self-powered flow rate totalizer designed to calculate and display flow rates and totals from flow meters with pulse, sine wave, or frequency outputs. It shows batch total, accumulated total, and instantaneous flow rates in user-programmed units and is compatible with various pulse / frequency output meters.



SPECIFICATIONS

Model	RT14
Display (1)	8 digit alpha-numeric LCD display with 12 mm characters with backlight
Instantaneous Flow Rate	8 digit to 3 decimal points
Signal Input	Reed, NPN/PNP, mV sinewave (Turbine flowmeters), Weigand Sensors (voltage pulse)
Input Scaling Range	0.0001 ~ 9999999.9999 with 4 floating points
Linearization	10 point correction
Max. Input Frequency	1.2 kHz (NPN/PNP), 2 kHz (Coil inputs), 120 kHz (Reed)
Analogue Output	12 bit 4-20mA ($\pm 0.05\%$ FS at 25°C)
Engineering Units	Liter, mL, Gallon, Quart, Cubic Meter, Pounds, Kilograms or Nil
Battery Power	AA 3.6V Lithium Thionyl Chloride Battery
External Power	External DC or loop powered (12 - 30V dc)
Temperature Range	-30°C - +80°C (-22°F - +176°F)
Protection Class & Body	High impact Glass Reinforced Nylon (PA6) with a Polycarbonate lens, Nitrile O-Ring seals and Polyurethane gaskets, providing an IP rating of IP66/67 (2)
Mounting (2)	Meter & stem mount, wall, pipe or panel mount
Approvals	Intrinsically Safe - IECEx / ATEX (optional) Ex ia IIB T4 Gb (-30°C < Ta < +70°C)

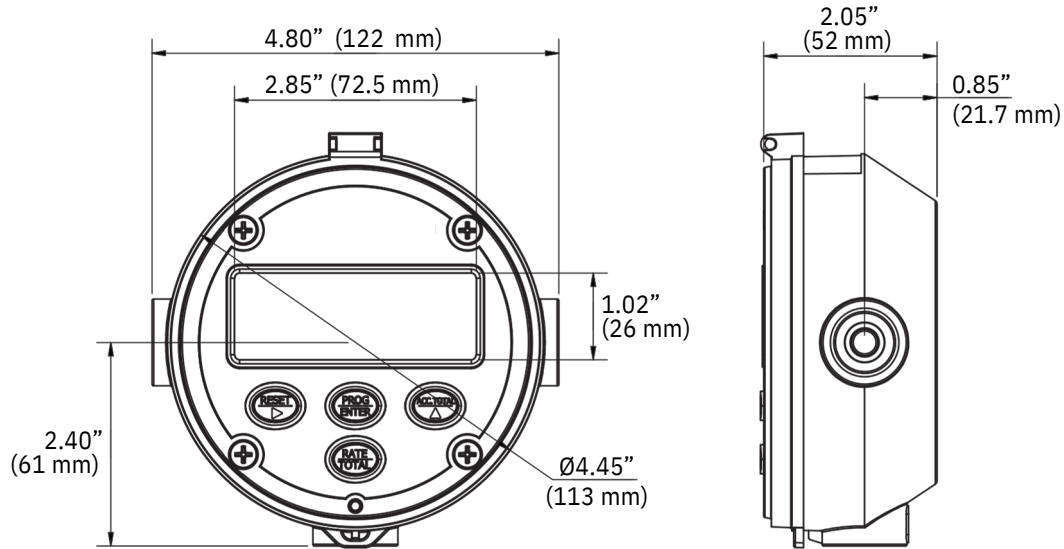
FEATURES

- Powered by battery, external DC, or loop
- Backlit LCD display for easy reading
- Sturdy IP66/67-NEMA4X universal mount glass-reinforced nylon enclosure with rubberized buttons and polycarbonate lens
- Extensive range of engineering units for flow rate and total
- Ten-point linearization for precision
- 4-20mA analog output proportional to flow rate
- Flow alarm options for high, low, or high/low scenarios
- Scaled pulse output aligned with accumulated total
- User-friendly flow chart touch key programming
- Non-volatile memory ensures data retention and long battery life

1. Backlight possible when connected to external power

2. Panel mount seal kit required to maintain IP66/67 rating when separating front and rear housing for mounting

DIMENSIONS



CONFIGURATION AND ORDER CODE

1		Series
	RT14	RT14 Flow Rate Totalizer
2		Electrical Access
	1	M20 x 1.5 mm female threaded conduit entry ports
	2	½ inch NPT female threaded conduit entry ports
3		Flow Input Type
	D	Digital (Pulse or Frequency)
4		Power Supply
	0	Self-powered (battery) or regulated 12-30V (dc)
5		Housing Type
	FM	Universal mount (field or panel) – GRN housing
	MM	Integral Meter Mount (GRN Housing) (To be ordered when retro fitting an instrument to OGF meters)

6		Electrical Option
		Nil
	I	Intrinsically safe IECEx/ATEX (EXia IIB T4)
7		Optional Remote Mounting Kits
-		Nil
-	WMK	Wall Mount Kit
-	PMK	2" Pipe Mount Kit
-	PAK	Panel Mount Seal Kit

EXAMPLE

1	2	3	4	5	6	-	7
RT14	1	D	0	FM		-	WMK

