

# POGF SERIES



The Fluidex POGF series is a high-precision Positive Displacement Flow Meter, employing two oval-shaped rotating gears. Designed for versatility, POGF meters find applications across diverse industries where precise liquid measurement is essential. Crafted from durable PPS (Polyphenylene Sulfide), these meters excel in handling both clean water-based products and corrosive chemicals.



## SPECIFICATIONS

MODEL	POGF025
Nominal Size	1" (25mm)
Nominal Flow Range @ 3cP (1)	2.6 - 40 GPM 10 -150 LPM
Accuracy	±0.5% of reading (±0.2% of reading with optional RT14)
Repeatability:	Typically ± 0.03% of reading
Temperature Range:	-40°C - +80°C (-40°F - +180°F)
Max. Pressure	174 psi (12 bar)
Burst Pressure	522 psi (36 bar)
Recommended Filtration	200 mesh [75 µm]
ELECTRICAL	
Output Pulse Resolution:	Pulses / gallon (Pulses / L) - Nominal
Reed Switch:	102 (27)
Hall Effect:	405 (107)
QP Quadrature Pulse	204 (54)
Reed Switch Output:	30V (dc) x 200mA max. (maximum thermal shock 18°F [10°C] / minute)
Hall Effect Output:	3 wire open collector. 5-24V (dc) max., 20mA max.

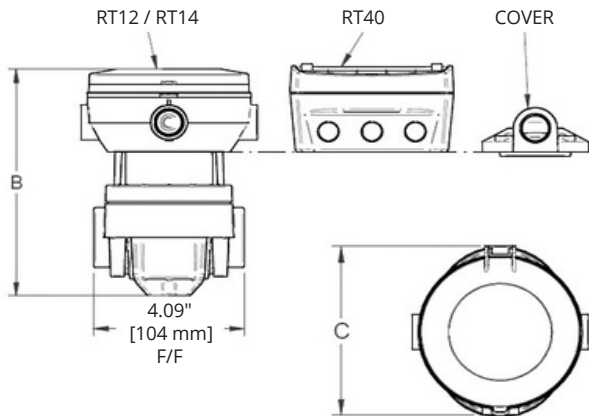


## FEATURES

- High accuracy & repeatability for precise flow measurement.
- No need for flow conditioning, allowing for simplified installation and maintenance.
- Measure low & high viscosity liquids
- Features a body made of PPS, which provides excellent resistance to chemical applications.
- Available with wide range of electronic registers
- Capable of measuring bi-directional flow for added versatility in flow measurement applications.
- Features screwed ends (NPT or BSP) to suit various installation requirements.

1. Maximum flow is to be reduced as viscosity increases, Max. recommended pressure drop is 14.5 psi (1 bar).

## DIMENSIONS



	B	C
RT12 / RT14	6.57" (167mm)	4.88" (124mm)
RT40	6.69" (170mm)	3.78" (96mm)
Cover	4.84" (123mm)	2.91" (74mm)

## APPLICATIONS AND LIMITATIONS

POGF meters are used for non-aromatic/non-halogenated organic chemicals, water based liquids, Diesel Exhaust Fluid and petroleum products including oils and grease, fuels and fuel oils. It is unsuitable for strong acids and oxidizers. POGF meters with standard ceramic rotor pins are suitable for applications where stainless steel is not suited or permitted.

- Water (non-potable, demineralised, RO)
- Glycols / Anti-Freeze
- Diesel Exhaust Fluid (DEF / Adblue)
- Fertilizers
- Herbicides
- Insecticides
- Also suitable for many non-flammable fuels and oils



## METER SELECTION MATRIX AND ORDER CODE

1	SERIES	
	POGF	Plastic Oval Gear Meter
2	SIZE	
	025	1" (25mm) - 2.6-40 GPM (10-150 LPM)
3		Body Material
	P	PPS
4		Rotor Material / Bearing Type
	00	PPS / No Bearing
	10	Keishi Cut PPS / No Bearing
5		O-Ring Material
	1	FKM (Viton™) 5° F minimum (-15° C)
	3	PTFE encapsulated FKM (Viton™) 5° F minimum (-15° C)
	4	Buna-N (Nitrile), -40° F minimum (-40° C)
6		Temperature Limit
-	8	176° F (80° C) max.
7		Process Connections
	1	BSPP (G) female threaded (ISO 228)
	2	NPT female threaded
8		Cable Entries
	1	M20 x 1.5mm (M16 x 1.5mm for R4 Option)
	2	1/2 inch NPT
	6	3x 16mm drilled holes (for F instruments only)
9		Integral Options
		Combination Reed Switch and Hall Effect Sensor
	QP	Quadrature pulse (2 NPN phased outputs)
	R4	RT40 rate totalizer with backlit large digit LCD [scalable pulse Output, backlight]
	R5	RT14 backlit rate totalizer with all outputs (GRN Housing)
	R7	RT40 backlit rate totaliser in GRN housing
	B11	EB11 dual stage batch controller in GRN housing
	F115	F115 bi-directional flowrate / totalizer, 4-20mA and pulse outputs in a GRN Housing
	F018	F018 backlit flowrate / totalizer, pulse, 4-20mA, 10 point linearization, HART#

9		Integral Options
		Combination Reed Switch and Hall Effect Sensor
	QP	Quadrature pulse (2 NPN phased outputs)
	R4	RT40 rate totalizer with backlit large digit LCD [scalable pulse Output, backlight]
	R5	RT14 backlit rate totalizer with all outputs (GRN Housing)
	R7	RT40 backlit rate totaliser in GRN housing
	B11	EB11 dual stage batch controller in GRN housing
	F115	F115 bi-directional flowrate / totalizer, 4-20mA and pulse outputs in a GRN Housing
	F018	F018 backlit flowrate / totalizer, pulse, 4-20mA, 10 point linearization, HART#
10		Display
		Litres (Default)
	G	US Gallons

### EXAMPLE

1	2	3	4	5	6	7	8	9	10
POGF	025	P	00	1	8	1	1	R7	



For more information about FLUIDEX  
flowmeters, visit [www.fluidex.com.au](http://www.fluidex.com.au)  
or contact [sales@fluidex.com.au](mailto:sales@fluidex.com.au)

FLUIDEX PTY LTD  
PO BOX 4131, LUGARNO  
NSW 2210 | AUSTRALIA  
T +61 2 8519 6335

