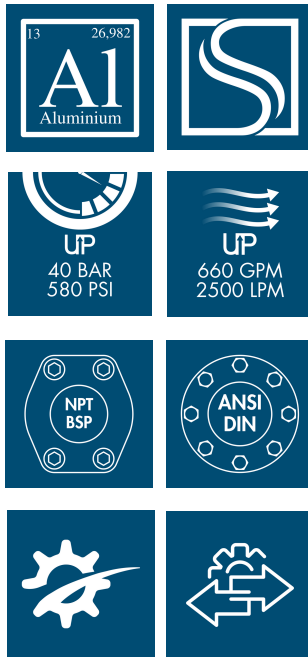


MECHANICAL OVAL GEAR FLOWMETER

The Fluidex Mechanical series is a Positive Displacement Flow Meter fitted with a Mechanical Register. The meters have two rotating gears in an oval shape. A fixed amount of liquid passes between the gear teeth and through the meter after each revolution. The flow rate is identified by the number of shaft rotations. With a focus on mechanical simplicity, it offers an optimal solution for various industries and applications.



FEATURES

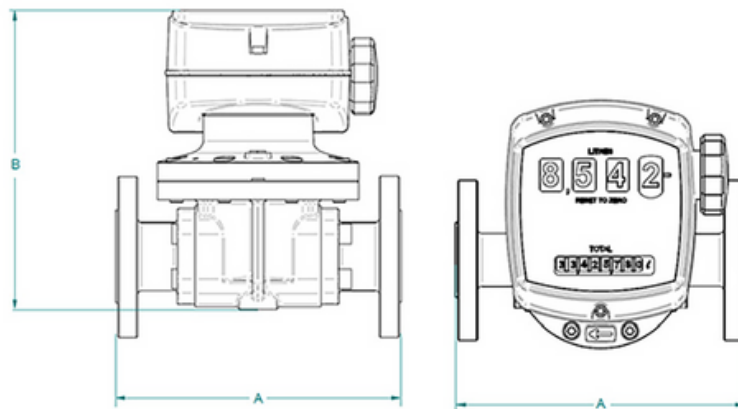
- High accuracy oval gear technology with low pressure drop can be used in gravity-fed applications
- No requirement for flow conditioning or straight pipe runs makes them ideal for compact installations with limited space
- Measure low & high viscosity liquids
- Bi-directional flow
- Robust aluminum mechanical registers

SPECIFICATIONS

Model	MOGF015	MOGF025	MOGF040	MOGF050	LOGF080	LOGF080E	LOGF100	LOGF100E
Nominal Size	1/2" (15mm)	1" (25mm)	1 1/2" (40mm)	2" (50mm)	3" (80mm)	3" (80mm)	4" (100mm)	4" (100mm)
Nominal Flow Range @ 3cP (1)	0.26-10.6 GPM 1-40 LPM	2.6-40 GPM 10-150 LPM	4-66 GPM 15-250 LPM	8-120 GPM 30-450 LPM	10-200 GPM 35-750 LPM	13-260 GPM 50-1000 LPM	20-400 GPM 75-1500 LPM	40-660 GPM 150-2500 LPM
Accuracy @ 3cP	±1% of reading for M-Registers			±1% of reading for M-Registers (±0.5% of reading for V-Registers)				
Repeatability:	Typically ± 0.03% of reading							
Temp. Range:	-15°C - +80°C (5°F - 176°F)							
PRESSURE RATING								
Threaded Meters	580 psi (40 Bar)	580 psi (40 Bar)	435 psi (30 Bar)	285 psi (20 Bar)	174 psi (12 Bar)	174 psi (12 Bar)	145 psi (10 Bar)	145 psi (10 Bar)
M Register	4-Digit Resettable & NEMA 4 (IP65)							
V Register	N/A				5-Digit Resettable & NEMA 3S (IP54)			
Filtration	100 mesh [150 µm]				40 mesh [400 µm]			

1. Maximum flow is to be reduced as viscosity increases. Max recommended pressure drop is 14.5 psi (1 bar).

DIMENSIONS



	A								
Model	MOGF015	MOGF025A	MOGF025S	MOGF040	MOGF050	LOGF080	LOGF080E	LOGF100	LOGF100E
Threaded	4.33" (110mm)	5.39" (137mm)	6.93" (176mm)	7.4" (189mm)	8.35" (212mm)	10.5" (266mm)	11.6" (294mm)	11.6" (294mm)	12.6" (320mm)
Flanged	7.44" (189mm)	7.8" (198mm)	9.33" (237mm)	9.92" (252mm)	10.91" (277mm)	13.93" (354mm)	15.04" (382mm)	15.28" (388mm)	16.3" (414mm)
	B								
	7.01" (178mm)	7.4" (188mm)	8.43" (214mm)	8.94" (227mm)	9.33" (237mm)	10.63" (270mm)	11.34" (288mm)	13.11" (333mm)	16.4" (416mm)
	Meter Cap Width								
	4.33" (110mm)	4.72" (120mm)	4.72" (120mm)	6.23" (160mm)	7.09" (180mm)	9.53" (242mm)	11.5" (292mm)	11.5" (292mm)	13.1" (332mm)

TYPICAL APPLICATIONS

- Fuel additive injection
- Fuel consumption measurements
- Diesel injector/pump test equipment
- Water treatment chemical dosing (flocculants, surfactants, biocides, etc.)
- Corrosion inhibitor dosing
- Demineralised / RO water dosing or dispensing
- Monitoring of oil or grease lubricants
- Molasses
- Clean Fluids
- Oil-Based Paints
- Chemical Additive Injection



CONFIGURATION AND ORDER CODE

1		Series
	MOGF	Medium Oval Gear Flowmeter
	LOGF	Large Oval Gear Flowmeter
2	SIZE	
	015	1/2 inch (15mm) - 0.26-10.6 GPM (1-40 LPM)
	025	1 inch (25mm) - 2.6-40 GPM (10-150 LPM)
	040	1 1/4" (40mm) - 4-66 GPM (15-250 LPM)
	050	2" (50mm) - 8-118 GPM (30-450 LPM)
	080	3 inch (80mm) - 10-200 GPM (35-750 LPM)
	080E	3 inch (80mm) Extended - 13-260 GPM (50-1000 LPM)
	100	4 inch (100mm) - 20-400 GPM (75-1500 LPM)
	100E	4 inch (100mm) Extended - 40-660 GPM (150-2500 LPM)
3		Body Material
	A	Aluminium
	E	Extended Flow Aluminium (LOGF080E, 100E)
	S	Stainless steel 316L (MOGF, LOGF080)
4		Rotor Material / Bearing Type
	00	PPS (not for +150°C (+300°F) / No Bearing
	10	Keishi cut PPS (not for +150°C (+300°F) / No Bearing
	44	Aluminium / Hardened Steel Roller (100E Only)
	51	Stainless Steel / Carbon Ceramic (MOGF, LOGF080)
	71	Keishi Cut Stainless Steel (For high viscosity) / Carbon Ceramic (MOGF, LOGF080)
5		O-ring Material
	1	FKM (Viton™) 5° F minimum (-15° C)
	3	PTFE encapsulated FKM (Viton™) 5° F minimum (-15° C)
	4	Buna-N (Nitrile), -40° F minimum (-40° C)
6	-	Temperature Limit
	8	176° F (80° C) max.
7		Process connections
	00	No fittings (Not available in 015)
	10	BSPP (G) female threaded (ISO 228)
	20	NPT female threaded
	40	ANSI 150 RF Flanged
	50	ANSI 300 RF Flanged
	60	PN16 DIN Flanged

8		Mechanical registers
	M3	4-digit Mechanical Totalizer (Liter) Totalizer Capacity: MOGF015-MOGF040: 9999.9 Liter MOGF050-LOGF100E: 99999.9 Liter
	M4	4-digit Mechanical Totalizer (US Gallon) Totalizer Capacity: MOGF015-MOGF040: 9999.9 Gallon MOGF050-LOGF100E: 99999.9 Gallon
	V	5-digit Mechanical Totalizer (Liter) Totalizer Capacity: MOGF050-LOGF100E: 999999 Liter

EXAMPLE

1	2	3	4	5	-	6	7	8
MOGF	025	A	51	1	-	8	10	M3



For more information about FLUIDEX
flowmeters, visit www.fluidex.com.au
or contact sales@fluidex.com.au

FLUIDEX PTY LTD
PO BOX 4131, LUGARNO
NSW 2210 | AUSTRALIA
T +61 2 8519 6335

MECH-DS-07-ENG-01/24
Specifications are subject to change without notice

